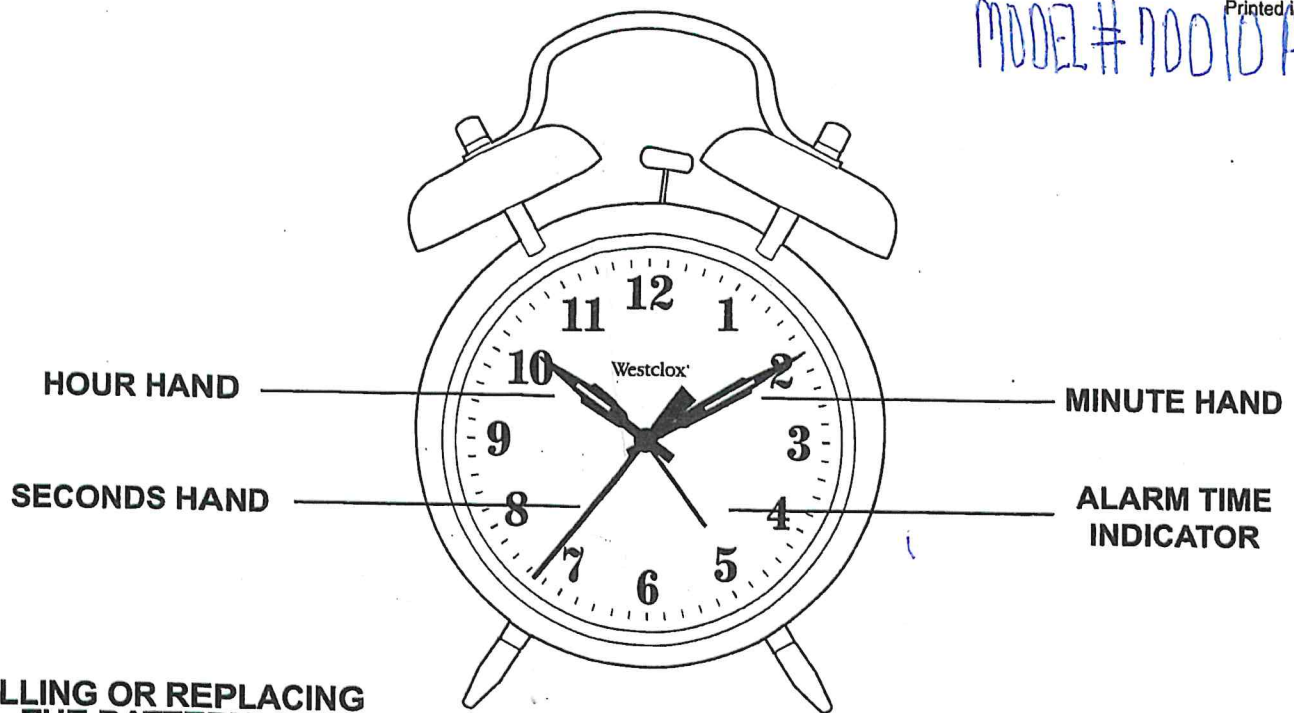


MODEL # 70010A



### INSTALLING OR REPLACING THE BATTERY

1. Remove battery compartment cover located on the back of the clock.
2. Install one fresh "AA" alkaline battery into the battery compartment. Make sure the polarity is correct by following (+ or -) symbols marked inside.
3. Replace the battery compartment cover.

**IMPORTANT:** Extended storage can cause batteries to leak and damage the unit. Leaky batteries should be discarded immediately. Skin burns or other personal injury can result. Always dispose of batteries according to federal, state and local regulations.

**IMPORTANT:**

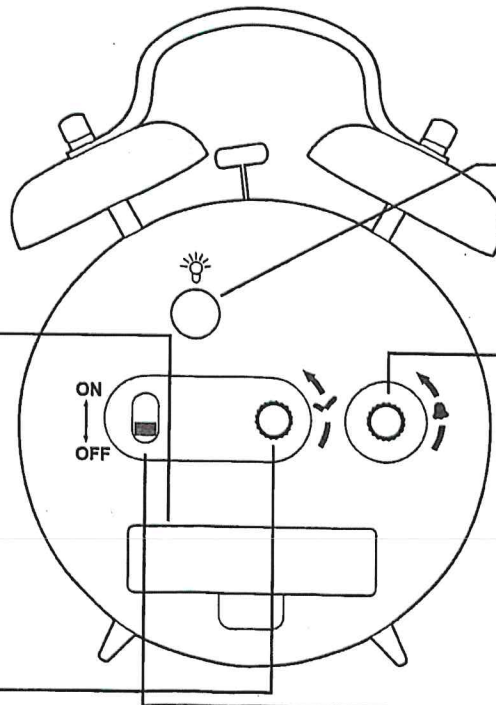
- Clean the battery contacts and also those of the device prior to battery installation.
- Remove the battery from the equipment which is not to be used for an extended period of time.
- Remove used battery promptly.

### TIME SET

Turn the TIME SET knob counter clockwise (follow the arrow) until the correct time is reached.

**Important:** Turn the knob counter clockwise to prevent damage to the internal mechanism that can affect the time accuracy.

**Note:** The time hand on dial will turn in a clockwise direction.



### DIAL LIGHT

Press the LIGHT button to activate the light. The light will only illuminate as long as you hold the LIGHT button. Releasing the LIGHT button will turn the light off.

### ALARM SET

Turn the ALARM SET knob counter clockwise (follow the arrow) until the desired Alarm time is reached.

**Important:** Turn the knob counter clockwise to prevent damage to the internal mechanism that can affect the time accuracy.

**Note:** The alarm hand on dial will turn in a counter clockwise direction.

### ALARM ON / OFF

To turn the alarm on, slide the switch ON. To turn the alarm off, slide the switch OFF.

#### CARE OF YOUR CLOCK

1. Store the clock without batteries when not in use.
2. A soft cloth or paper towel may be used to clean your clock. Do not use corrosive cleanser or chemical solutions on the clock. Keep the clock clean and dry to avoid any problems.
3. Avoid putting the clock in a highly humid environment such as a poolside or in a bathroom.
4. Do not expose the clock to direct sunlight, extreme hot or cold temperatures.

#### ONE-YEAR LIMITED WARRANTY

NYL Holdings LLC warrants the original consumer purchaser of this product that it shall be free of defects in materials and workmanship for one year from the purchase date of this product. Defects caused by tampering, improper use, unauthorized modifications or repairs, immersion in water or abuse are not covered by this warranty. If a defect covered by this warranty occurs during the warranty period, Package your clock carefully and send it to the following address:

At: Repair center  
NYL Holdings LLC  
99 West Hawthorne Ave. (Suite 202)  
Valley Stream, NY 11580  
516-256-3240

You must include a Proof of Purchase, either the original receipt or a photocopy and a check or money order for USD \$4.95 to cover the cost of shipping and handling. Also include your return address inside the package. NYL Holdings LLC will repair or replace the clock and return it to you. NYL Holdings LLC will not be liable for any loss or damages, including incidental or consequential damages of any kind: from any breach of warranty either expressed or implied relating to the product. Since some states do not allow the exclusion or limitation of incidental or consequential damages, these limitations may not apply to you. This warranty gives you specific legal rights, and you may have other rights that vary from state to state.