

This Owner's Manual is provided and hosted by [Appliance Factory Parts](http://www.ApplianceFactoryParts.com).



CUISINART CPT-160 Owner's Manual

[Shop genuine replacement parts for CUISINART
CPT-160](#)



[Find Your CUISINART Small Appliance Parts - Select From 213 Models](#)

----- Manual continues below -----

Cuisinart®

INSTRUCTION
BOOKLET



Metal Classic 2-Slice Toaster

CPT-160

For your safety and continued enjoyment of this product, always read the instruction book carefully before using.

IMPORTANT SAFEGUARDS

When using an electrical appliance, basic safety precautions should always be followed, including the following:

1. **Read all instructions.**
2. **Do not touch hot surfaces. Use handles or knobs.**
3. To protect against electrical shock, do not place any part of the toaster in water or other liquid. See instructions for cleaning.
4. Close supervision is necessary when any appliance is used by or near children.
5. Always unplug from outlet when not in use and before cleaning. Allow to cool before cleaning or handling.
6. Do not operate any appliance with a damaged cord or plug, or after the appliance has malfunctioned or has been dropped or damaged in any way, or if it is not operating properly. Return the toaster to the nearest Cuisinart Repair Center for examination, repair or mechanical or electrical adjustment.
7. The use of accessory attachments not recommended by Cuisinart may cause injury.
8. Do not use outdoors.
9. Do not let cord hang over the edge of the table or countertop or touch hot surfaces.
10. Do not place toaster on or near a hot gas or electric burner or in a heated oven.
11. Do not use this toaster for other than intended use.
12. **Oversize foods, metal foil packages or utensils must not be inserted in the toaster, as they may involve a risk of fire or electric shock.**
13. **A fire may occur if the toaster is covered or touching flammable materials, such as curtains, draperies or walls when in operation. Do not operate under wall cabinets.**
14. Do not attempt to dislodge food when the toaster is plugged into electrical outlet.
15. To avoid possibility of fire, do not leave toaster unattended during use.
16. To disconnect, push the cancel button, then remove plug from wall.

SAVE THESE INSTRUCTIONS FOR HOUSEHOLD USE ONLY

SPECIAL CORD SET INSTRUCTIONS

A short power-supply cord is provided to reduce the risks resulting from becoming entangled in or tripping over a longer cord. Longer extension cords are available and may be used if care is exercised in their use.

If a long extension cord is used, the marked electrical rating of the extension cord should be at least as great as the electrical rating of the appliance, and the longer cord should be arranged so that it will not drape over the countertop or tabletop where it can be pulled on by children or tripped over.

NOTICE: This appliance has a polarized plug (one blade is wider than the other).

As a safety feature, this plug will fit in a polarized outlet only one way. If the plug does not fit fully in the outlet, reverse the plug. If it still does not fit, contact a qualified electrician. Do not attempt to defeat this safety feature.

TABLE OF CONTENTS:

Important Safeguards.....	Page 2
Introduction	Page 3
Features and Benefits	Page 3
Use and Care	Page 4
Cleaning and Maintenance	Page 5
Warranty	Page 6

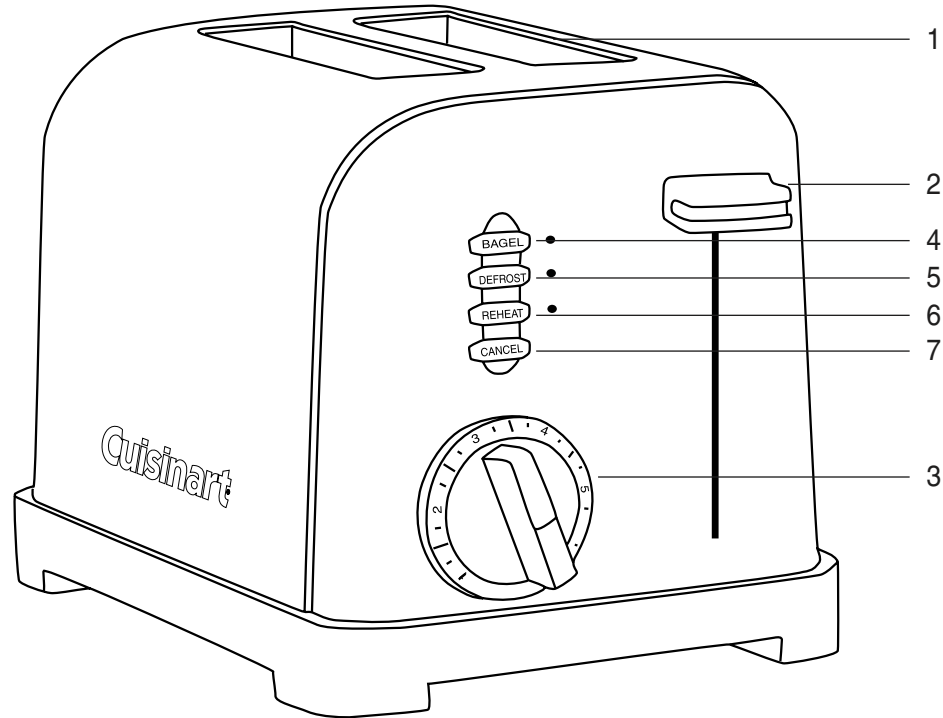
INTRODUCTION

Cuisinart brings a brand new look to toasting with the unique styling of our Metal Classic 2-Slice Toaster. A good fit in any kitchen, with Cuisinart's best toasting technology. LED indicators alongside push button controls make selections simple, and a browning dial lets you toast each item to any one of six shades. Small items are easy to remove, with an Extra-Lift lever that brings them up high.

A slide-out crumb tray and wipe-clean housing make cleanup quick, and our cord wrap feature keeps countertops neat.

FEATURES AND BENEFITS

- 1. Dual Toasting Slots**
1-1/2 inch slot toasts a wide variety of breads.
- 2. Extra Lift Carriage Control Lever**
Brings the toast close to the top of the toaster, making it easy to remove the smallest items.
- 3. Browning Control**
Sets desired toast color from light to dark, with six browning levels.
- 4. Bagel Button**
Adds extra time to toasting cycle.
LED lights when selected.
- 5. Defrost Button**
Defrosts and toasts frozen bread.
LED lights when selected.
- 6. Reheat Button**
Reheats without browning or toasting.
LED lights when selected.
- 7. Cancel Button**
Interrupts toasting process.
- 8. Slide-out Crumb Tray (Not Shown)**
Pulls out to clean crumbs that collect in bottom of toaster.
- 9. Cord Storage (Not Shown)**
Takes up excess cord and keeps countertop neat.



USE AND CARE

Unwind the power cord. Check that the crumb tray is in place and that there is nothing in the toaster slot. Plug power cord into the wall outlet.

1. Insert Slice(s) of Bread.

Be sure that multiple slices do not overlap and that the carriage is in the up position.

2. Set the Browning Control.

Turn rotary dial to the desired position:

Dial Setting	Color
1-2	light
3-4	medium
5-6	dark

Some notes on browning:

Toasting is a combination of cooking and drying of the bread. Therefore, differences in moisture level from one bread to another can result in varying toasting times.

- For slightly dry bread, use a lower setting than you normally would.
- For very fresh bread or whole wheat bread, use a higher setting than normal.
- Breads with very uneven surfaces (such as English muffins) will require a higher toast setting.
- Thickly cut pieces of bread (including bagels) will take longer to toast, sometimes significantly longer, since more moisture must be evaporated from the bread before toasting can occur. Very thick pieces may require two cycles.
- When toasting raisin or other fruit breads, remove any loose raisins, etc. from the surface of the bread before placing into the toaster. This will help prevent fruit pieces from falling into the toaster or sticking on the guide wires in the slot.
- Before toasting bagels, slice each bagel into two equal halves.

Single Slice Toasting:

If you are toasting a single slice of bread, set the heat selector to a lighter setting than you normally would. The toaster is designed to heat the whole toasting chamber for two slices. By lowering the heat for a single slice, you won't overtoast.

Notes on Specialty Uses:

The following breads and pastries should be warmed using the "Defrost" button:

Frozen Waffles, Pancakes, French Toast and Frozen Bagels

Toaster pastries: Exercise caution with toaster pastries; the filling can become quite hot, long before the surface of the pastry becomes browned. Never leave toaster pastries unattended while toasting or warming.

3. To Begin Toasting.

Press the carriage lever until it locks into the down position.

4. To Stop Toasting.

When the toasting cycle is finished, the toast will be raised. If you wish to stop the cycle before it is finished, simply press the "Cancel" button.

Tips:

- Never force foods into the toasting slot. Foods should fit freely between the guide wires.
- Do not place buttered breads or pastries with fillings or frostings in the toaster, as this could create a fire hazard.
- Uneven toasting is usually due to bread slices of uneven thickness.
- After use, unplug your toaster from the electrical outlet.

Defrost Button

The "Defrost" button is designed to first defrost and then toast the bread, which extends the toasting cycle slightly.

1. Insert slice(s) of bread.

Be sure that multiple slices do not overlap and the carriage is in the up position.

2. Set the Browning Control.**Setting 1-2:**

For refrigerated breads and thinner frozen items such as frozen pancakes.

Setting 3-4:

For toaster pastries, frozen waffles and (thin) French toast, and refrigerated bagels.

Setting 5-6:

For thicker frozen items such as bagels, hand-cut bread and thick French toast.

3. Press the Carriage control lever until it locks into position.**4. Press the "Defrost" button. Red LED indicates feature is activated.****To stop cycle:**

When the defrost cycle is complete, the toaster will raise the bread. If you wish to stop the cycle before it is finished, simply press the "Cancel" button to interrupt.

After use, unplug the toaster from the electrical outlet.

Reheat Button

The reheat feature allows you to reheat bread without browning or toasting.

1. Insert slice(s) of bread.

Be sure that multiple slices do not overlap and the carriage is in the up position.

2. Press the carriage control lever until it locks into position.**3. Press the "Reheat" button. Red LED indicates feature is activated.****To stop cycle:**

When the reheat cycle is complete, the toaster will raise the bread. If you wish to stop the cycle before it is finished, simply press the cancel button to interrupt.

Bagel Button

The bagel feature adds extra time to the toasting cycle to allow for thicker breads.

1. Insert slice(s) of bread.

Be sure that multiple slices do not overlap and the carriage is in the up position.

2. Press the carriage control lever until it locks into position.**3. Press the "Bagel" button. Red LED indicates feature is activated.**

When the bagel cycle is complete, the toaster will raise the bread. If you wish to stop the cycle before it is finished, simply press the cancel button to interrupt.

CLEANING AND MAINTENANCE

Always allow the toaster to cool completely before cleaning.

1. Always unplug the toaster from the electrical outlet.
2. Do not use abrasive cleansers. Simply wipe the exterior with a clean damp cloth and dry thoroughly. Apply any cleansing agent to a cloth, not to the toaster, before cleaning.
3. To remove crumbs, slide out the crumb tray and discard crumbs. Wipe clean and replace. Never operate the toaster without the crumb tray in place.
4. To remove any pieces of bread remaining in the toaster, turn the toaster upside down and gently shake. Never insert any hard or sharp instruments into the slot, as this could damage the toaster and cause a safety hazard.
5. Never wrap the cord around the outside of the toaster. Use the cord storage cleats on the underside of the toaster.

CUISINART® METAL CLASSIC 2-SLICE TOASTER LIMITED 3 YEAR WARRANTY

This limited warranty is available to consumers only. You are a consumer if you own a Cuisinart® Toaster which was purchased at retail for personal, family or household use. Except as otherwise required under applicable state law, this warranty is not available to retailers or other commercial purchasers or owners.

We warrant that your Cuisinart® Toaster will be free of defects in materials and workmanship under normal home use for three years from the original date of purchase.

We suggest you complete and return the enclosed product registration card promptly to facilitate verification of the date of original purchase. However, return of the product registration card does not eliminate the need for the consumer to maintain the original proof of purchase in order to obtain the warranty benefits. In the event that you do not have proof of purchase date, the purchase date for purposes of this warranty will be the date of manufacture. If your toaster should prove to be defective within the warranty period, we will repair or replace it at our option, without charge to you. To obtain warranty service, simply send the defective product to:

Cuisinart, 150 Milford Rd.,
E. Windsor, NJ 08520, or call our Consumer Service Center
toll-free at 1-800-726-0190.

To facilitate the speed and accuracy of your return, please also enclose \$7.00 for shipping and handling of the product. **CA residents need only provide proof of purchase and should call 1-800-726-0190 for shipping instructions.** Please be sure to include a return address, description of the product defect, product serial number and any other information pertinent to the product's return. Please pay by check or money order.

Your Cuisinart® Toaster has been manufactured to the strictest specifications and has been designed for use with authorized Cuisinart® accessories and replacement parts. **THIS WARRANTY EXPRESSLY EXCLUDES ANY DEFECTS OR DAMAGES CAUSED BY ACCESSORIES, REPLACEMENT PARTS OR REPAIR SERVICE OTHER THAN THOSE WHICH HAVE BEEN AUTHORIZED BY CUISINART. THIS LIMITED WARRANTY DOES NOT COVER ANY DAMAGE CAUSED BY ACCIDENT, MISUSE, SHIPMENT OR OTHER THAN ORDINARY HOUSEHOLD USE.**

THIS WARRANTY EXCLUDES ALL INCIDENTAL OR CONSEQUENTIAL DAMAGES. Some states do not allow the exclusion or limitation of these damages, so these exclusions may not apply to you. **ALL APPLICABLE IMPLIED WARRANTIES, INCLUDING THE IMPLIED WARRANTY OF MERCHANTABILITY AND FITNESS FOR A PARTICULAR PURPOSE,**

GIVEN TO YOU BY LAW, ARE HEREBY LIMITED IN DURATION TO THIS WARRANTY.

This warranty gives you specific legal rights and you may have other rights which vary from state to state.

If you have any questions about the safety features of your Cuisinart® Toaster, please call us, toll-free, at 1-800-726-0190.

BEFORE RETURNING YOUR CUISINART PRODUCT

If you are experiencing problems with your Cuisinart product, we suggest that you call our Consumer Service Center at 1-800-726-0190 before returning the product for servicing. Often, our Consumer Service Representatives can help solve the problem without having the product serviced. If servicing is needed, a representative can confirm whether the product is under warranty and direct you to the nearest service location.

***Important: If the nonconforming product is to be serviced by someone other than Cuisinart's Authorized Service Center, please remind the Servicer to call our Consumer Service Center at 1-800-726-0190 to ensure that the problem is properly diagnosed, the product is serviced with the correct parts, and the product is still under warranty.**

CALIFORNIA RESIDENTS ONLY

California law provides that for In-Warranty Service, California residents have the option of returning a nonconforming product (A) to the store where it was purchased or (B) to another retail store which sells Cuisinart products of the same type. The retail store shall then decide to either repair the product, refer the consumer to an independent repair facility, replace the product, or refund the purchase price less the amount directly attributable to the consumer's prior usage of the product. If either of the above two options does not result in the appropriate relief to the consumer, the consumer may then take the product to an independent repair facility if service or repair can be economically accomplished. Cuisinart and not the consumer will be responsible for the reasonable cost of such service, repair, replacement, or refund for nonconforming products under warranty.

California residents may also, according to their preference, return nonconforming products directly to Cuisinart for repair or, if necessary, replacement, by calling our Consumer Service Center toll-free at 800-726-0190. Cuisinart will be responsible for the cost of the repair, replacement, and shipping and handling of such nonconforming products under Warranty.

Cuisinart®

SAVOR THE GOOD LIFE®



Kettles

Food
Processors

Toaster Ovens

Blenders

Cookware

Waffle
Makers

Cuisinart offers an extensive assortment of top quality products to make life in the kitchen easier than ever. Try some of our other countertop appliances and cookware, and Savor the Good Life®.

www.cuisinart.com

© 2003 Cuisinart
Cuisinart® is a registered trademark of
Cuisinart
150 Milford Road
East Windsor, NJ 08520
Printed in China
03CU13189

IB-4624